



Axle Stands

Axle Stands

Stertil-Koni axle stands are available in 5 models.

They are available in various heights; low, mid and high with a capacity consisting of 8,500 - 12,000 kg each. The mid and high range models are foldable and can easily be positioned over a mobile column base frame.

- A fine adjustment option is available on all the axle stand models
- All of Stertil-Koni's axle stands comply to the stringent ASME/PASE 2014 standard
- The axle stands are thoroughly tested with a static load based on 200% of the rated capacity
- Testing has been performed asymmetrically equal to rated capacity
- Spring loaded wheels, for easy positioning of the stand*
- Slider tube spring assembly for ultimate safety*

*standard available with delivery on JS-M and JS-H models

JS-L12

JS-M8 & JS-M12

JS-H8 & JS-H12

Capacities 8,500 - 12,000 kg

Specifications:

Model: JS-L12

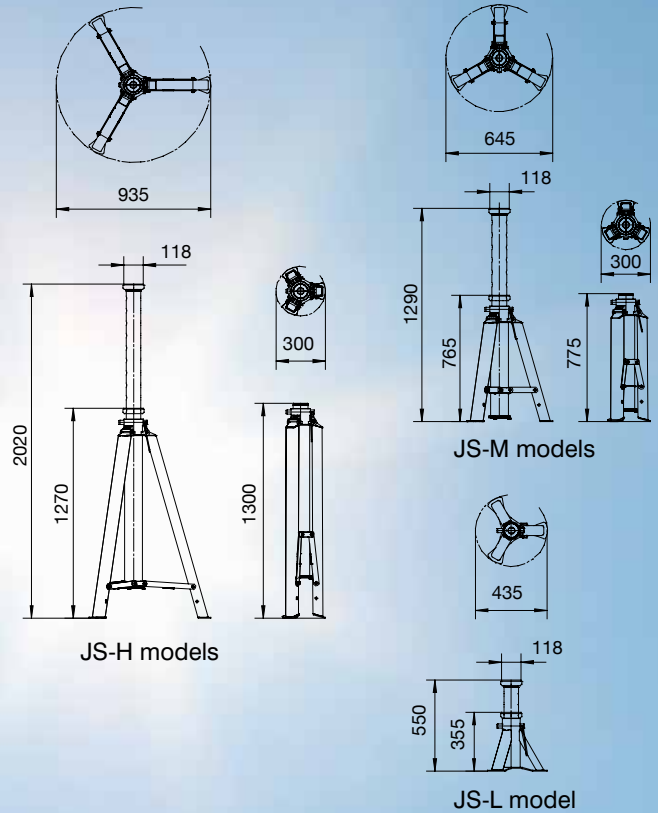
Type: fixed axle stand
 Capacity: 12,000 kg
 Height: 355 mm min. - 550 mm max.
 Adjustable: 195 mm, 3 positions / 4 pin stops
 Weight: 18.5 kg each

Models: JS-M8 & JS-M12

Type: foldable axle stand
 Capacity: 8,500 kg & 12,000 kg
 Height: 765 mm min. - 1290 mm max.
 Adjustable: 525 mm, 7 positions / 8 pin stops
 Weight: 37.5 kg, 46 kg each

Models: JS-H8 & JS-H12

Type: foldable axle stand
 Capacity: 8,500 kg & 12,000 kg
 Height: 1270 mm min. - 2020 mm max.
 Adjustable: 750 mm, 10 positions / 11 pin stops
 Weight: 57 kg, 72 kg each



Options:

- U-shape adaptor
- V-shape adaptor
- Fine adjustment (75 mm max.)
- Storage bracket for safe, easy, and space saving storage of the axle stand*

*only available for JS-M and JS-H models

Model	Capacity (kg)	Weight (kg)
JS-L12	12,000	18.5
JS-M8	8,500	37.5
JS-M12	12,000	46
JS-H8	8,500	57
JS-H12	12,000	72



More information?

For more specific information about these products or one of the other quality products from Stertil Koni, please contact us for further assistance.



Stertil B.V.
 P.O. Box 23
 9288 ZG Kootsterille
 The Netherlands
 Tel. +31(0)512 334444
 Fax +31(0)512 334430
 info@stertil.nl
 www.stertil-koni.nl

