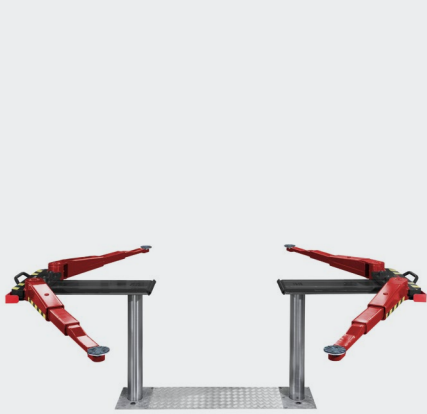


Masterlift 2.35 Saav 135 VAN

Electro-hydraulic twin-ram lift, 3.5 t capacity, superstructure with adjustable arms



Application

- Repairs and maintenance

Approvals / recommendations

- Jaguar
- Opel
- Renault
- Volkswagen Group
- Mercedes-Benz

Description:

Steel cassette:

- Waterproof steel cassette

Hydraulic unit:

- Hard-chrome plated cylinder
- Flexible synchronization and safety system
- Corrosion-free guiding elements
- Pump unit with immersed motor
- Hydraulic oil
- Pneumatic emergency lowering
- Programmable pushbutton control unit

Superstructure:

- Double-telescopic arms
- Internal arm locking system
- Low minimum height
- Suitable for wheel supports

Standard colours:

- Base plates: RAL 7016 - grey
- Arms and slider: RAL 3020 - red

Versions:

Steel cassette:

- Zinc-coated
- Coated
- Self-carrying

Installation:

- Superstructure on floor
- Ceiling installation

Versions:

- Sport & Universal versions

Optional extras:

- Large program of extra pads

Zinc coating and special colours on request!



Scan the QR-Code for detailed product information.

Further Information on www.autopstenhoj.com

autop Maschinenbau GmbH

Sandkampstraße 90
48432 Rheine | Germany

☎ +49 5971 8602-02

📠 +49 5971 8602-25

✉ info@autopstenhoj.com

STENHØJ A/S

Barrit Langgade 188-190
DK-7150 Barrit

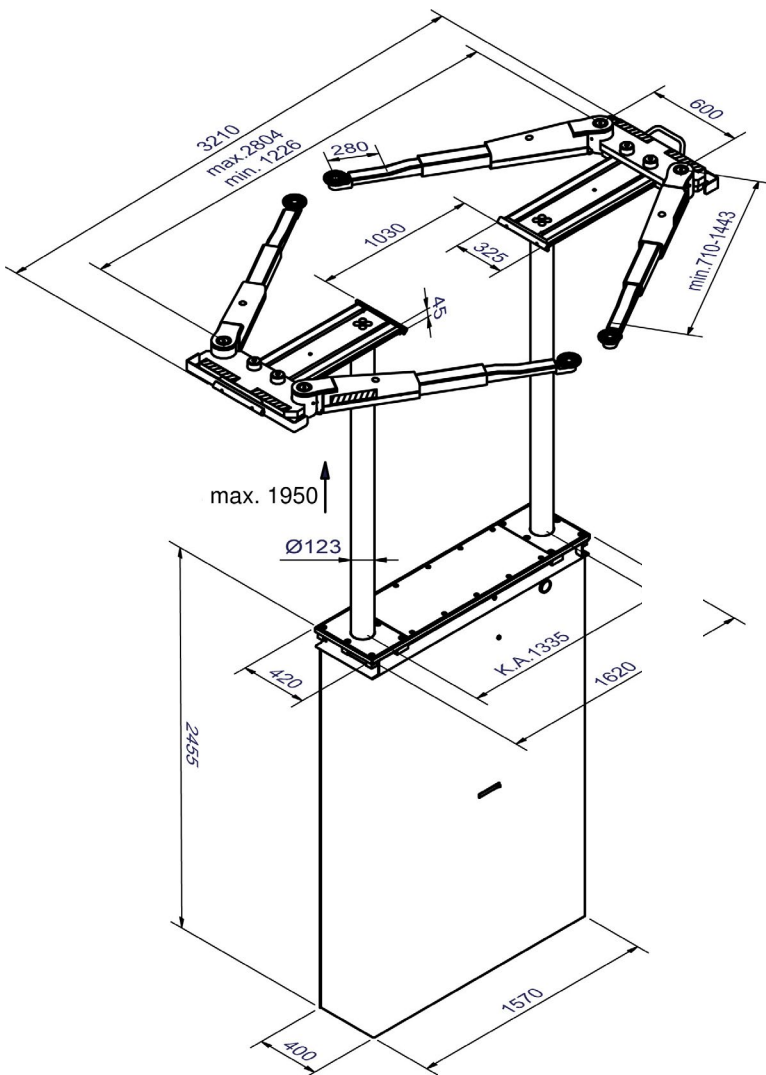
☎ +45 76 82 13 30

📠 +45 76 82 13 31

✉ info@autopstenhoj.com

Technical data	
Lifting capacity	3,500 kg
Lifting height	1,950 mm
Working height	2,020 – 2,085 mm
Cylinder diameter	2 x 123 mm
Distance between cylinders	1,335 mm
Lifting / lowering time (high pressure)	approx. 30 sec
Foundation depth	2,625 mm
Pump unit	3 kW
Hydraulic oil	10 l
Voltage	230/400 V – 50 Hz – 16 A

Arm superstructure	
Total width	3,210 mm
Lifting pad included in the delivery	Uni: 11027 (95 – 135 mm) Sport: 29265 (70 – 95 mm)
Min. height	Uni: 95 – 135 mm Sport: 70 – 95 mm
Arm length, min. - max.	710 – 1,443 mm



Slidable superstructure



Superstructure with lifting pads



Internal arm locking system