

# Masterlift 2.35 Combi

Electro-hydraulic 2xtwin-ram lift, 3.5 t, with platforms and Free-wheel lift with flat lifting supports



## Application

- Check-in
- Repairs and maintenance
- Test

## Approvals / recommendations

- Renault
- ML 2.35 Pv Combi:  
Jaguar,  
BMW/Mini
- ML 2.35 Saav 135 Combi:  
Volkswagen Group

## Description:

### Steel cassette:

- Waterproof steel cassette

### Hydraulic unit:

- Hard-chrome plated cylinder
- Flexible synchronization and safety system
- Corrosion-free guiding elements
- Pump unit with immersed motor
- Hydraulic oil
- Pneumatic emergency lowering
- Programmable pushbutton control unit

### Superstructure:

- A set of platforms with drive-on ramps and stops

### Free-wheel device Pv:

- Stable lifting supports, lengthwise adjustable
- Rubber-coated, non-skid pads
- Low minimum height

### Free-wheel device Saav:

- Double-telescopic arms, sideways adjustable
- Internal arm locking system
- Low minimum height

### Standard colours:

- Platforms: RAL 7016 - grey
- Ramps: RAL 3020 - red
- Saav: Base plate RAL 7016 - grey,  
arms and sliders RAL 3020 - red
- Pv Premium: zinc coated  
and painted RAL 9006 - white aluminum

## Versions:

### Steel cassette:

- Zinc-coated
- Coated

### Superstructure Pv:

- Lifting supports in different lengths (120-180, 140-200, 160-220 & 170-240)
- Also available as in-ground (140-200 or 160-220)

### Installation:

- Superstructure on floor
- Superstructure in floor with or without flush floor device
- Ceiling installation

## Optional extras:

- XY-pads
- Sets of rubber blocks,  
40, 60, 80 and 100 mm
- Large program of extra pads

**Zinc coating and special colours on request!**



Scan the QR-Code for detailed product information.

Further Information on [www.autopstenhoj.com](http://www.autopstenhoj.com)

**autop Maschinenbau GmbH**

Sandkampstraße 90  
48432 Rheine | Germany

☎ +49 5971 8602-02

📠 +49 5971 8602-25

✉ info@autopstenhoj.com

**STENHØJ A/S**

Barrit Langgade 188-190  
DK-7150 Barrit

☎ +45 76 82 13 30

📠 +45 76 82 13 31

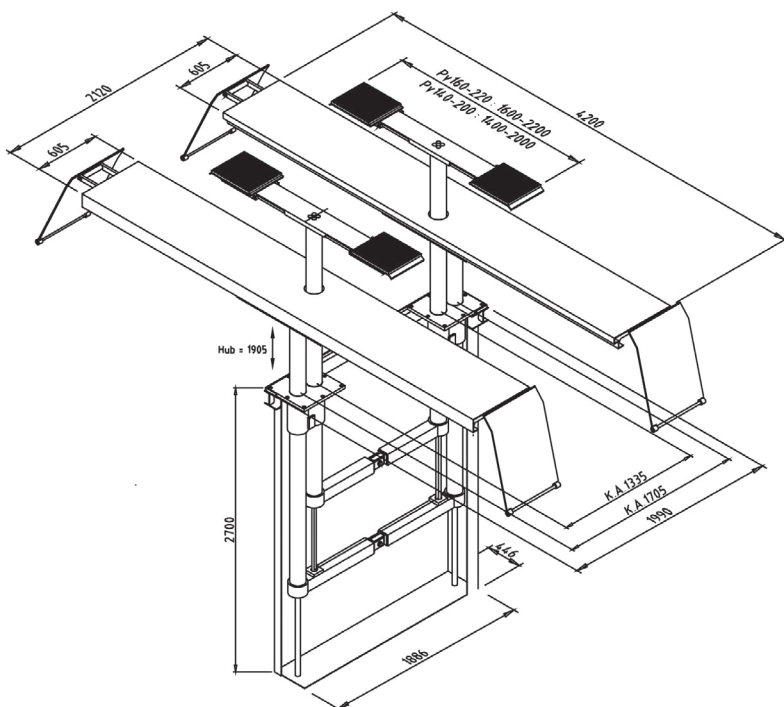
✉ info@autopstenhoj.com

Technical data	
Lifting capacity	3,500 kg
Lifting height	1,905 mm
Working height	F: 2,055 mm RFH Saav: 2,135 mm RFH Pv: 2,120 mm + Rubber pads
Cylinder diameter	4 x 123 mm
Distance between cylinders	1,335 / 1,705 mm
Lifting / lowering time (high pressure)	approx. 35 sec
Foundation depth	2,875 mm
Pump unit	3 kW
Hydraulic oil	14 l
Voltage	230 / 400 V – 50 Hz – 16 A

Pv superstructure	
Total length min. – max.	120 – 180: approx. 1.200 – 1,800 mm 140 – 200: approx. 1.400 – 2,000 mm 160 – 220: approx. 1.600 – 2,200 mm 170 – 240: approx. 1.700 – 2,400 mm
Min. height	65 mm

Platforms	
Total length	approx. 5,300 mm
Usable length of platform	4,200 mm
Wheel base	approx. 3,700 mm
Platform width	605 mm
Distance between platforms	910 mm
Drive-on height	150 mm

Arm superstructure	
Total width	3,210 mm
Lifting pad included in the delivery	Uni: 11027 (95 – 135 mm) Sport: 29265 (70 – 95 mm)
Min. height	Uni: 95 – 135 mm Sport: 70 – 95 mm
Arm length, min. - max. min. – max.	710 – 1,445 mm



Slidable superstructure